



# MULTI-GUARD VENTILATION (MGV)<sup>TM</sup>

## FIRESHIELD<sup>TM</sup>

WUI TESTED, LAB CERTIFIED



Retrofit Face for Half-Round Dormer Vent



Gable Louver



Roof Exhaust Vent



Foundation Vent



VISIT OUR WEBSITE

# PROTECTION FROM WILDFIRES



LEARN MORE ABOUT MGV



## UNDERSTANDING THE THREAT • WUI FIRE SCIENCE

### THE DANGERS WILDFIRES POSE

*Every year, wildfires destroy thousands of homes and most don't burn from the outside in. The real threat arrives silently, carried on the wind, long before the flames.*

### WHAT IS THE WILDLAND URBAN INTERFACE (WUI)?

The Wildland-Urban Interface (WUI) is where homes and communities meet wildland vegetation the front line of wildfire risk. Over 46 million U.S. homes fall within designated WUI zones. Where proximity to natural fuel, limited escape routes, and older construction standards combine to make ember intrusion the leading cause of structure loss.

### THE EMBER INTRUSION PATH

Burning embers—also called firebrands—begin from actively burning foliage, and are able to be carried several miles ahead of a wildfire through **wind** and **heat**. A single ember entering a vent, soffit, or attic screen can smolder undetected for hours inside insulation or dry framing before triggering a full structural fire.



#### WILDFIRE BURNS

Active fires generate intense heat, launching debris skyward.



#### EMBERS TRAVEL

Wind carries firebrands up to 5 miles ahead of the fire front.



#### ENTER VIA VENTS

Burning embers enter through standard vents, soffits, and attic screens.



#### SILENT IGNITION

Embers smolder inside walls and attics for hours before visible smoke.



## 1-5 miles

DISTANCE THAT BURNING EMBERS TRAVEL AHEAD OF A WILDFIRE.



## 90%

HOME IGNITIONS IN WUI AREAS CAUSED BY EMBER INTRUSION.



## 2 hours

TIME A SMOLDERING EMBER CAN BURN UNDETECTED INSIDE A WALL.

*"Structure ignition from embers can occur even when a home is located miles from the active fire perimeter. The vents of a home are among the most critical and overlooked points of vulnerability."*

- IBHS (INSURANCE INSTITUTE FOR BUSINESS & HOME SAFETY), WILDFIRE RESEARCH

### THE STAGGERING COST OF WILDFIRES

- U.S. wildfires caused over **\$150B in total economic losses** in 2023 alone.
- The average WUI home destroyed by wildfire results in an insurance claim ranging anywhere from **\$500,000 up to \$900,000**.
- Homeowners in high-risk zones face premium increases from **50% up to 300%** — or **outright policy cancellation**.
- For every **\$1 spent** on ember-resistant retrofitting, studies estimate between **\$6 to \$13 in avoided losses**.

### THE WILDFIRE REALITY

- From 2015 to 2025, over 80 million acres burned across the U.S.
- CAL FIRE and NFPA identify ember intrusion as **the #1 preventable source of ignition**.
- Section 504.10 of the 2025 California WUI Code **mandates ember resistant vents in all new WUI areas**.
- From 2016 to 2026, **over 102,000 structures were destroyed** from wildfires.



## THE SOLUTION?

### MULTI-GUARD VENTILATION (MGV)

ENGINEERED TO  
**STOP**  
WHAT OTHERS  
**LET THROUGH**

Multi-Guard Vents (MGV) are **WUI tested** and **lab proven** as a strong and reliable first line of defense against ember intrusion, and is engineered to meet California's Title 24 and NFA standards without compromising on airflow.

Protected by U.S. Patent #12,560,351



#### WUI APPROVED

Meets CAL FIRE ember intrusion requirements for Wildland-Urban Interface construction.



#### LAB TESTED

Independently verified against ASTM E2886 & E2912 ember resistance and flame exposure protocols.



#### DURABLE CONSTRUCTION

Galvanized steel body, no petroleum-based components that melt or deform under radiant heat or flames.

## HOW IT WORKS

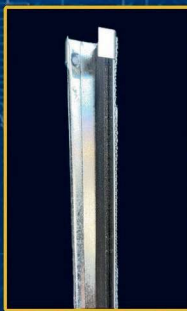
The Multi-Guard system implements a **layered** and **proactive** approach to wildfire hazards, forged from a combination of 1/16" mesh screening, intumescent strips, and galvanized steel blades. Together, they work to filter and extinguish burning embers and flames and other natural elements, all while maintaining the ventilation performance your building code requires.



01

#### EMBER MESH BARRIER

Two layers of 1/16" steel wire mesh, installed on each blade and the interior vent face, stops firebrands from entering the attic space. Built to meet WUI requirements while also maintaining proper airflow.



02

#### INTUMESCENT TAPE

Intumescent tape is a fire resistant material that expands under high temperatures to seal off the vent and block all forms of embers and flames from entering, and is installed in all MGVS.



03

#### STEEL CHEVRON BLADES

Patented chevron steel blades are engineered to deflect burning embers, redirect flame impingement, and prevent radiant heat from penetrating the wall or attic.

## STANDARD VENTS vs MGV



#### STANDARD VENTS

- Mesh with common opening: allows embers to pass straight through.
- Plastic housing: deforms and melts under high heat.
- No response to rising temperatures: remains open as fire approaches.
- Not tested for ember or flame exposure under any building code.



#### MULTI-GUARD VENTS (MGV)

- Dual 1/16" steel mesh layers: WUI tested ember barrier that maintains proper airflow.
- Full metal construction: No risk of combustion or melting under extreme temperature.
- Intumescent strip expands to protect the vent automatically when temperatures rise.
- Patented design resists ember and flame intrusion, satisfying ASTM and WUI codes.

## THE REALITY OF VENT FAILURE



STANDARD GABLE LOUVERS, EAVE, FOUNDATION, AND SOFFIT VENTS ARE THE **PRIMARY ENTRY POINTS** FOR BURNING EMBERS, AND THE **FIRST TO FAIL** WHEN FIRE ARRIVES.



## DO YOU LIVE IN A WUI AREA?

CHECK IF YOUR PROPERTY IS LOCATED IN A WILDLAND-URBAN INTERFACE ZONE AT THE U.S. FIRE ADMINISTRATION WEBSITE:



### CERTIFICATIONS AND CODE COMPLIANCE:



# MGV PRODUCT LIST

WUI Tested fire-rated vents. All products manufactured from ASTM A-653 galvanized steel with 1/16" mesh. Custom sizes and materials available upon request.

## LOUVER VENTS - SQUARE TOP

PART NUMBER	DESCRIPTION	APPROX. NFA
5420-1206-MGV	Louwer, Square-Top, 12"x6", Galv, MGv, 1/16" Mesh, Stucco*	25 sq in.
5420-1208-MGV	Louwer, Square-Top, 12"x8", Galv, MGv, 1/16" Mesh, Stucco*	35 sq in.
5420-1212-MGV	Louwer, Square-Top, 12"x12", Galv, MGv, 1/16" Mesh, Stucco*	50 sq in.
5420-1224-MGV	Louwer, Square-Top, 12"x24", Galv, MGv, 1/16" Mesh, Stucco*	100 sq in.
5320-MGV	Louwer, Square-Top, 14"x12", Galv, MGv, 1/16" Mesh, Stucco*	60 sq in.
5420-1414-MGV	Louwer, Square-Top, 14"x14", Galv, MGv, 1/16" Mesh, Stucco*	70 sq in.
5420-1416-MGV	Louwer, Square-Top, 14"x16", Galv, MGv, 1/16" Mesh, Stucco*	80 sq in.
5340-MGV	Louwer, Square-Top, 14"x18", Galv, MGv, 1/16" Mesh, Stucco*	90 sq in.
5360-MGV	Louwer, Square-Top, 14"x24", Galv, MGv, 1/16" Mesh, Stucco*	120 sq in.
5420-1616-MGV	Louwer, Square-Top, 16"x16", Galv, MGv, 1/16" Mesh, Stucco*	90 sq in.
5420-1624-MGV	Louwer, Square-Top, 16"x24", Galv, MGv, 1/16" Mesh, Stucco*	140 sq in.
5405-1818-MGV	Louwer, Square-Top, 18"x18", Galv, MGv, 1/16" Mesh, Stucco*	115 sq in.
5410-MGV	Louwer, Square-Top, 18"x24", Galv, MGv, 1/16" Mesh, Stucco*	155 sq in.

## HALF-ROUND DORMER VENTS

PART NUMBER	DESCRIPTION	APPROX. NFA
5800-MGV	Half-Round Dormer, 9"x18", Zinalume, MGv	45 sq in.
5840-MGV	Half-Round Dormer, 9"x18", Aluminum Flanges, MGv	45 sq in.
5870-MGV	Half-Round Dormer, 12"x24", Zinalume, MGv	65 sq in.
5910-MGV	Half-Round Dormer, 12"x24", Aluminum Flanges, MGv	65 sq in.
5800-R	Half-Round Dormer, 9"x18", MGv Retrofit Face, Galvanized	36 sq in.
5870-R	Half-Round Dormer, 12"x24", MGv Retrofit Face, Galvanized	66 sq in.

## EYEBROW VENT

PART NUMBER	DESCRIPTION	APPROX. NFA
6032-MGV	Eyebrow Vent, 18"x4", Galv Shingle Base, MGv, 1/16" Mesh	45 sq in.
6032-P-MGV	Eyebrow Vent, 18"x4", Painted Shingle Base, MGv, 1/16" Mesh	45 sq in.
6032-R	Eyebrow Vent, 18"x4", MGv Retrofit Face, 1/16" Mesh	20 sq in.

## ROOF JACK T-TOP VENTS

PART NUMBER	DESCRIPTION	APPROX. NFA
6221E-M-MGV	Roof Jack T-Top, 4", Galv, FHA Base, w/ End Caps & Mesh, MGv	15 sq in.
6301E-M-MGV	Roof Jack T-Top, 7", Galv, FHA Base, w/ End Caps & Mesh, MGv	40 sq in.

## ROOF EXHAUST VENT

PART NUMBER	DESCRIPTION	APPROX. NFA
5170-MGV	Roof Exhaust Vent, Galv Hood & Flange, 4" Duct, MGv	—
5190-6-MGV	Roof Exhaust Vent, Galv Hood & Flange, 6" Duct, MGv	—

## CRAWL HOLE DOOR

PART NUMBER	DESCRIPTION	APPROX. NFA
4350-MGV	Crawl Hole Door, 24"x18", Galv, Door & Frame, MGv, Hinge on Side	155 sq in.
4390-MGV	Crawl Hole Door, 24"x24", Galv, Door & Frame, MGv, Hinge on Side	210 sq in.

## EAVE / SOFFIT / FOUNDATION VENTS

PART NUMBER	DESCRIPTION	APPROX. NFA
4500-MGV	Soffit/Eave/Foundation, 14"x3", Galv, MGv, 1/16" Mesh, Stucco*	20 sq in.
4620-MGV	Soffit/Eave/Foundation, 22"x3", Galv, MGv, 1/16" Mesh, Stucco*	30 sq in.
4780-MGV	Soffit/Eave/Foundation, 14"x6", Galv, MGv, 1/16" Mesh, Stucco*	35 sq in.
4740-MGV	Soffit/Eave/Foundation, 22"x6", Galv, MGv, 1/16" Mesh, Stucco*	55 sq in.
4960-MGV	Soffit/Eave/Foundation, 60"x3", Galv, MGv, 1/16" Mesh, Stucco*	75 sq in.
4963-MGV	Soffit/Eave/Foundation, 60"x3", Galv, MGv, 1/16" Mesh, Stucco*, with Inspection Hinges	75 sq in.
4970-MGV	Soffit/Eave/Foundation, 60"x4", Galv, MGv, 1/16" Mesh, Stucco*	85 sq in.
4860-MGV	Soffit/Eave/Foundation, 72"x3", Galv, MGv, 1/16" Mesh, Stucco*	75 sq in.
4865-MGV	Soffit/Eave/Foundation, 72"x4", Galv, MGv, 1/16" Mesh, Stucco*	100 sq in.
4965-MGV	Soffit/Eave/Foundation, 120"x3", Galv, MGv, 1/16" Mesh, Stucco*	130 sq in.
4890-MGV	Soffit/Eave/Foundation, 120"x4", Galv, MGv, 1/16" Mesh, Stucco*	170 sq in.

## LOW PROFILE GLIDER VENT

PART NUMBER	DESCRIPTION	APPROX. NFA
6026-MGV	Glider Vent, 22"x2-1/2", Galv Shingle Base, MGv, 1/16" Mesh	40 sq in.
6026-P-MGV-PFF	Glider Vent, 22"x2-1/2", Painted Shingle Base w/ PFF, MGv, 1/16" Mesh	40 sq in.
6028-MGV	Glider Vent, 22"x2-1/2", Galv Shake Base, MGv, 1/16" Mesh	40 sq in.
6028-P-MGV-PFF	Glider Vent, 22"x2-1/2", Painted Shake Base w/ PFF, MGv, 1/16" Mesh	40 sq in.
6028-MGV-A	Glider Vent, 22"x2-1/2", Galv Shake Base, MGv, Aluminum Flanges	40 sq in.
6028-P-MGV-A	Glider Vent, 22"x2-1/2", Painted Shake Base, MGv, Aluminum Flanges	40 sq in.
6026M-MGV	Glider-M Vent, 22"x2-1/2", Galv Shingle Base, MGv, 1/16" Mesh	30 sq in.
6026M-P-MGV-PFF	Glider-M Vent, 22"x2-1/2", Painted Shingle Base w/ PFF, MGv, 1/16" Mesh	30 sq in.
6028M-MGV	Glider-M Vent, 22"x2-1/2", Galv Shake Base, MGv, 1/16" Mesh	30 sq in.
6028M-P-MGV	Glider-M Vent, 22"x2-1/2", Painted Shake Base w/ PFF, MGv, 1/16" Mesh	30 sq in.

## GRAVITY VENT WITH MGv INSERT

PART NUMBER	DESCRIPTION	APPROX. NFA
6040 1414 MGv	Gravity Vent, 14"x14", 26ga Galv, Hot Soldered, MGv	70 sq in.
6040-1818-MGV	Gravity Vent, 18"x18", 26ga Galv, Hot Soldered, MGv	115 sq in.
6040-2424-MGV	Gravity Vent, 24"x24", 26ga Galv, Hot Soldered, MGv	210 sq in.

## ROTARY TURBINE VENTILATORS

PART NUMBER	DESCRIPTION	APPROX. NFA
6685-MGV	Rotary Vent, 14", Galv, Flat Base, MGv	—
6715-MGV	Rotary Vent, 20", Galv, Flat Base, MGv	—

## WALL CAPS / SIDE HOODS

PART NUMBER	DESCRIPTION	APPROX. NFA
5000-MGV	Wall Cap / Side Hood, 4"x4", Galv, MGv	7 sq in.
5020-MGV	Wall Cap / Side Hood, 7"x7", Galv, MGv	20 sq in.
5040 MGv	Wall Cap / Side Hood, 10"x3 1/2", Galv, MGv	15 sq in.

\* Multiple styles available — Stucco (PG) · Flange on Front (FOF) · Flange on Back (FOB) · Retrofit · Ears In/Out · Painted front flange (PFF)

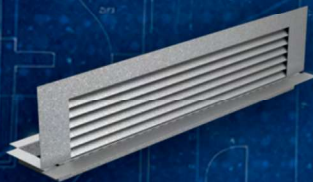
**EAVE / SOFFIT / FOUNDATION VENTS**



Another style of the patented MGV, offering the same level of protection with 1" depth for eave, soffit, and foundation applications. Designed with galvanized steel, 1/16" metal wire mesh, and intumescent tape. US Patent No. 12,560,351. WUI TESTED.

<b>PART #4500-MGV16</b>	14" W x 3" H · Vent Area 42 sq in NFA 20 sq in
<b>PART #4780-MGV16</b>	14" W x 6" H · Vent Area 84 sq in NFA 35 sq in
<b>PART #4965-MGV16</b>	120" W x 3" H · Vent Area 360 sq in NFA 130 sq in
<b>MATERIAL</b>	ASTM A-653 galvanized steel 1" deep 1" flange

**HINGED BALCONY INSPECTION  
BALCONY ACCESS VENT**



Engineered for easy access and hassle-free inspections. Lab tested to stand strong against WUI environments with certified fire and ember resistance.

<b>PART #4963-MGV16</b>	60" W x 3" H · Vent Area 180 sq in NFA 65 sq in
<b>MATERIAL</b>	ASTM A-653 galvanized steel 1" flange

**GABLE LOUVERS**

The patented louver vent is designed to withstand airborne burning embers, flame impingement, and radiant heat while allowing proper airflow. Designed with 26 gauge ASTM A-653 galvanized steel, 1/16" metal wire mesh, and intumescent tape. US Patent No. 12,560,351. WUI TESTED.

<b>PART #5320-MGV16</b>	14" W x 12" H · Vent Area 168 sq in · NFA 60 sq in
<b>PART #5340-MGV16</b>	14" W x 18" H · Vent Area 252 sq in · NFA 90 sq in
<b>PART #5360-MGV16</b>	14" W x 24" H · Vent Area 336 sq in · NFA 120 sq in
<b>MATERIAL</b>	ASTM A-653 galvanized steel · 2" deep 1-1/2" flange



\*All MGVs have 1/16 steel mesh wire



**LOW PROFILE GLIDER VENT  
WITH OPTIONAL WUI TESTED  
MGV SUB-BASE**

Patented low-profile, high airflow roof vent with preinstalled front flange (optional painted front flange). Standard option screened with 1/8" mesh. WUI tested option uses 1/16" metal wire mesh with intumescent strips. For roofs 4:12 pitch or above. US Patent No. 9,447,583.

**SHG BASE — REG/LRG** Regular · 30" L x 22" W  
#6026 / #6027 Large · 34" L x 22" W

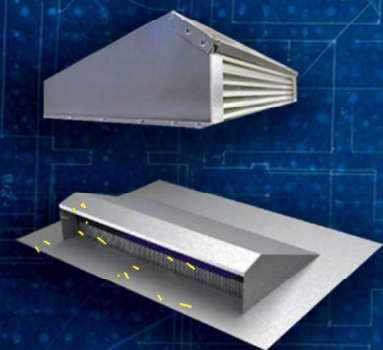
**SHK BASE — REG/LRG** Regular · 30" L x 28" W  
#6028 / #6029 Large · 34" L x 28" W

**SHK BASE, ALUMINUM  
FLANGE FOR TILE ROOF** 40" L x 32" W

**FRONT FACE** 22" W x 2-1/2" H · NFA  
69 sq in

**HOOD MATERIAL** ASTM A-653 galvanized steel or  
ASTM A-792 Galvalume (mill  
finish or prepainted)

**MGV SUB BASE  
PART #602X-MGV** 14" L x 7-1/2" W · NFA 45 sq



**EYEBROW VENT  
WITH OPTIONAL MGV SUB BASE &  
RETROFIT FACE**

Low-profile eyebrow roof vent with hood styles available in ASTM A-653 galvanized steel (mill finish or prepainted). Standard option screened with 1/8" mesh. WUI tested sub base and retrofit face uses 1/16" metal wire mesh with intumescent strips. Designed for roofs 4:12 pitch or above.

**SHG BASE #6032** 30" L x 22" W

**SHK BASE #6034** 30" L x 28" W

**FRONT FACE** 18" W x 4" H

**HOOD MATERIAL** ASTM A-653 galvanized steel or  
ASTM A-792 Galvalume (mill  
finish or prepainted)

**MGV SUB BASE/INSERT  
PART #6032-MGV** 14" L x 7-1/2" W · NFA 45 sq in

**MGV RETROFIT FACE  
PART #6032-R** 17-1/2" L x 2-3/8" W · NFA 20 sq in

**HALF-ROUND DORMER VENTS  
WITH OPTIONAL MGV SUB BASE/INSERT & RETROFIT FACE**

Designed with return-angle blades and sealed with polyurethane sealant, preventing leakage and maximizing airflow. Standard option screened with 1/8" mesh. WUI tested sub base/insert and retrofit face uses 1/16" metal wire mesh and intumescent strips. For roofs 4:12–6:12 pitch.



**PART #5800** 18" W x 9" H · NFA 50 sq in

**PART #5870** 24" W x 12" H · NFA 100 sq in

**HOOD MATERIAL** ASTM A-792 Galvalume

**FLANGE MATERIAL** A-653 Galvanized Steel or Dead Soft  
Aluminum

**MGV SUB BASE/INSERT  
PART #5800-MGV** 9" L x 10" W x 2" D · NFA 36 sq in

**PART #5870-MGV** 11-1/2" L x 15" W x 2" D · NFA 66 sq in

**RETROFIT FACE SPECS  
PART #5800-R** 18-1/2" W x 9" H x 4" D · NFA 45 sq in

**PART #5870-R** 24-1/2" W x 12" H x 4" D · NFA 85 sq in

\*All MGVs have 1/16 steel mesh wire



**GRAVITY VENT WITH MGV INSERT**  
**GRAVITY VENTILATION FOR COMMERCIAL ROOFS**

Gravity vents use natural convection to expel hot air from the attic. The WUI tested insert (louver with flange on front/back) adds 1/16" galvanized mesh and intumescent protection to the base, blocking ember intrusion while maintaining airflow. Designed for flat and low-slope roof applications.

- PART #6040-1010-MGV** 10" L x 10" W roof opening  
NFA 40 sq in
- PART #6040-1212-MGV** 12" L x 12" W roof opening  
NFA 50 sq in
- PART #6040-1414-MGV** 14" L x 14" W roof opening  
NFA 70 sq in
- PART #6040-1818-MGV** 18" L x 18" W roof opening  
NFA 115 sq in
- PART #6040-2424-MGV** 24" L x 24" W roof opening  
NFA 210 sq in



**ROTARY VENT BASE**  
**ROTARY TURBINE VENTILATION**

The rotary turbine ventilator uses wind energy to create continuous suction, drawing hot air and moisture out of the attic without electricity. The MGV base and insert adds ember and flame protection to the vent, making it compliant for use in Wildland-Urban Interface zones. Available for flat roofs, sloped roofs, and ridge/curb installations.

- SIZES AVAILABLE** 12" L x 12" W — 30" L x 30" W
- VENT BASE HOUSING** 26ga ASTM A-653 galvanized steel with 1/16" galvanized wire mesh and intumescent strips
- APPLICATIONS** Flat Roof · Sloped Roof · Ridge · Curb

**T-TOP WITH MGV SUB-BASE**  
**ROOF VENT**

T-top roof vents are designed for use on flat and sloped roofs up to 5:12 pitch, providing reliable exhaust ventilation for plumbing and mechanical systems. The MGV option features a louvered design with 1/16" galvanized mesh and intumescent strip installed at the bottom of the neck, blocking ember intrusion at the roof penetration point. Seams are sealed via hot solder for a weathertight fit.

- PART #6221-MGV** 4" Neck · 8" L x 11" W x 2" D MGV Base · NFA 15 sq in
- PART #6301-MGV** 4" Neck · 12" L x 12" W x 2" D MGV Base · NFA 40 sq in
- MATERIAL** ASTM A-653 galvanized steel · seams sealed via hot solder
- MODIFICATIONS** End Caps · Neck Mesh · FHA/Aluminum Flanges
- APPLICATION** Flat and sloped roofs up to 5:12 pitch · Southern CA market



\*All MGVs have 1/16 steel mesh wire

### ROOF EXHAUST VENT



Rooftop bathroom/kitchen exhaust vents with MGV technology installed on the face and a raised inside duct lip. Together, they provide WUI tested functionality while also removing the need for a damper plate.

**PART #5171-MGV** 19" x 22" flange with 4" duct

**PART #5191-6-MGV** 29" x 22" flange with 6" duct

**MATERIAL** ASTM A-653 galvanized steel

**PROFILE** 4" W x 6" H exhaust face with 3/4" elevated inside lip · For residential and commercial applications

### CRAWL HOLE DOOR CRAWL SPACE ACCESS



Uses the same design as the WUI tested MGV gable louvers to block ember intrusion and protect against flame and radiant heat, while allowing access to key entry points of the home.

**PART #4350-MGV** 18" W x 24" H x 2" D  
NFA 155 sq in

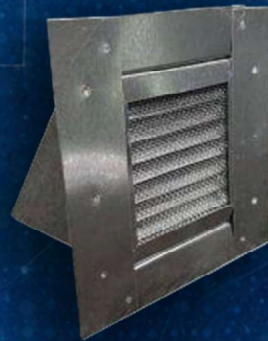
**PART #4390-MGV** 24" W x 24" H x 2" D  
NFA 210 sq in

**DOOR STYLE** Hinged or Removable

**MATERIAL** ASTM A-653 galvanized steel  
1-1/2" flange

### WALL CAP VENT

Wall caps with Able's patented MGV technology built into the stucco flange. Designed to work for both intake and exhaust applications at the foundation level, making it a preferred upgrade for enhanced fire safety in WUI areas.



**PART #5000-MGV** 4" W x 4" H x 5-1/8" D · NFA 7 sq in

**PART #5020-MGV** 7" W x 7" H x 4-3/4" D · NFA 20 sq in

**PART #5040-MGV** 10" W x 3-1/2" W x 4-1/8" D  
NFA 15 sq in

**MATERIAL** ASTM A-653 galvanized steel  
1" stucco flange



# Able Sheet Metal

Corporate Office Location:  
614 N. Ford Blvd  
Los Angeles, CA 90022

Shipping & Receiving:  
4532 Floral Dr  
Los Angeles, CA 90022

North California Location:  
14100 Doolittle Dr  
San Leandro, CA 94577

TEL: (323) 269-2181  
FAX: (323) 269-2184

TOLL FREE: (800) 699-2253  
[www.ablemetal.com](http://www.ablemetal.com)

TEL: (510) 483-9966  
FAX: (510) 483-9960

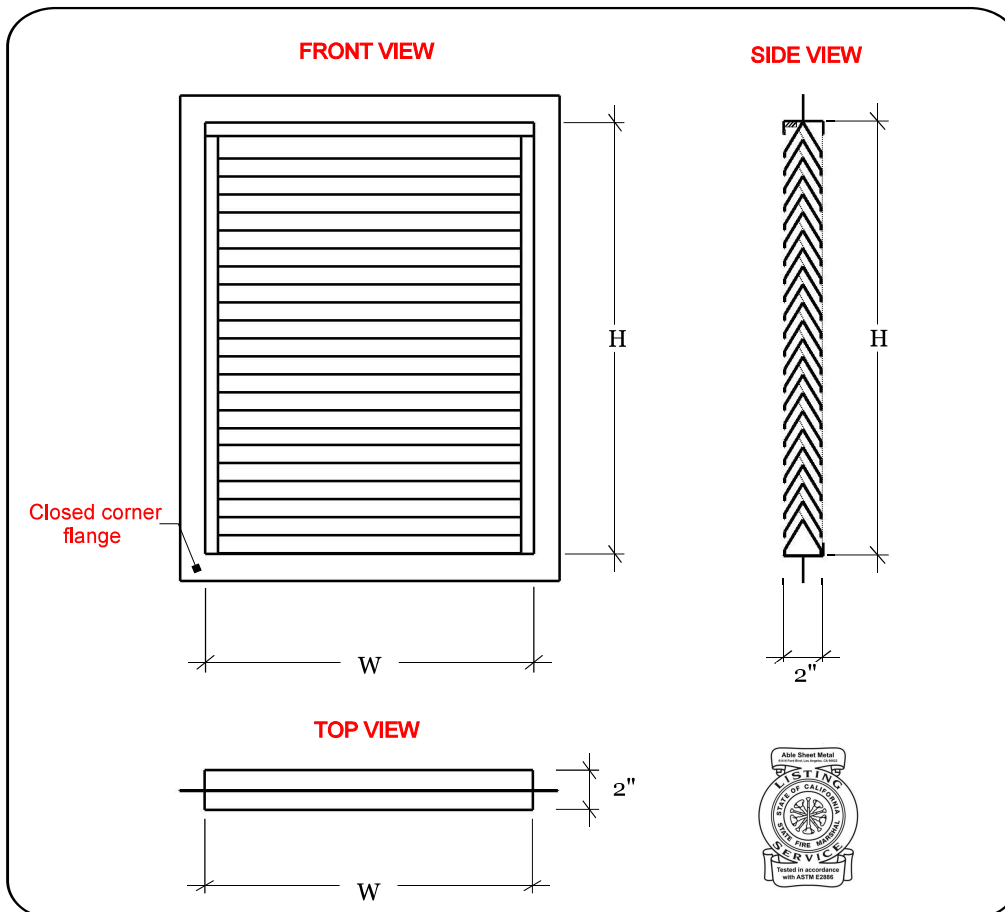


## WUI TESTED FIRE RESISTANT MULTI-GUARD LOUVER VENT (MGV)

US PATENT #12,560,351

PRODUCED FROM TOP-QUALITY ASTM A-653 GALVANIZED STEEL. DESIGN ALLOWS FOR HIGH AIR FLOW WITH RESTRICTION OF DIRECT HEAT/FLAME PENETRATION. GUARDED BY 1/16" METAL MESH AND INTUMESCENT TAPE. TESTED & CERTIFIED BY CAL-FIRE APPROVED LAB FOR ASTM E2886 AND E2912 STANDARDS. WUI COMPLIANT. OTHER STYLES, MATERIALS (BONDERIZED, STAINLESS STEEL, COPPER) AVAILABLE UPON REQUEST.

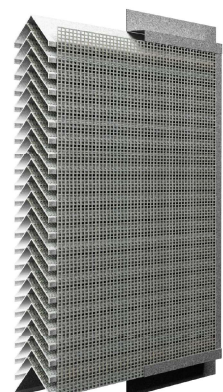
PART NUMBER	WIDTH	HEIGHT	VENT AREA	APPX. NFA
<b>5320-MGV16</b>	14"	12"	168 sq in.	<b>60 sq in.</b>
<b>5340-MGV16</b>	14"	18"	252 sq in.	<b>90 sq in.</b>
<b>5360-MGV16</b>	14"	24"	336 sq in.	<b>120 sq in.</b>



FRONT 3D VIEW



BACK 3D VIEW





# Able Sheet Metal

Corporate Office Location:  
614 N. Ford Blvd  
Los Angeles, CA 90022

Shipping & Receiving:  
4532 Floral Dr  
Los Angeles, CA 90022

North California Location:  
14100 Doolittle Dr  
San Leandro, CA 94577

TEL: (323) 269-2181      TOLL FREE: (800) 699-2253      TEL: (510) 483-9966  
 FAX: (323) 269-2184      [www.ablemetal.com](http://www.ablemetal.com)      FAX: (510) 483-9960



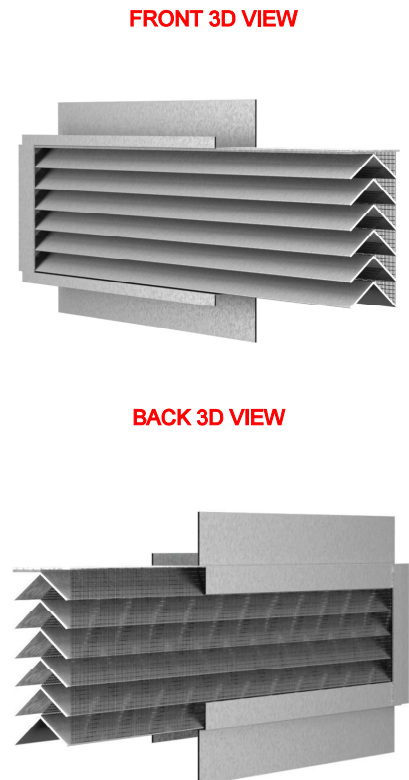
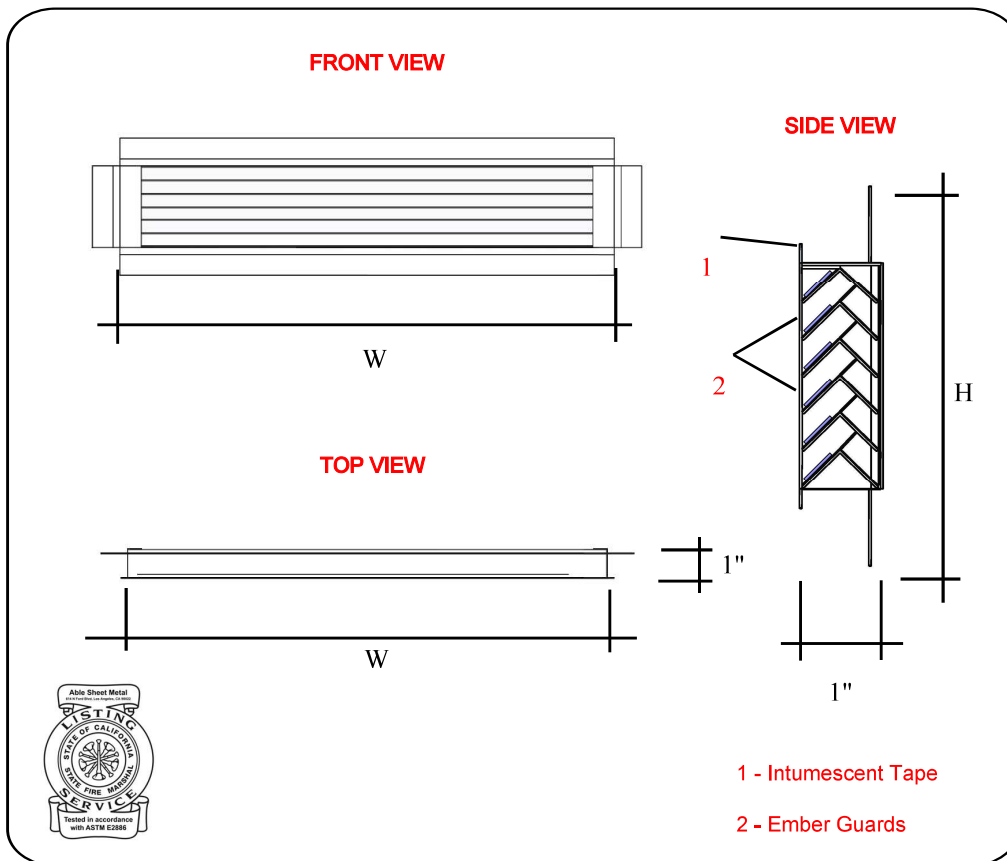
## WUI TESTED FIRE RESISTANT MULTI-GUARD VENT (MGV) FOR EAVE, FOUNDATION, SOFFIT, AND BALCONY SPACES

### US PATENT #12,560,351

PRODUCED FROM TOP-QUALITY ASTM A-653 GALVANIZED STEEL. DESIGN ALLOWS FOR HIGH AIR FLOW WITH RESTRICTION OF DIRECT HEAT/FLAME PENETRATION. GUARDED BY 1/16" GALVANIZED OR STAINLESS STEEL MESH AND INTUMESCENT TAPE. TESTED/CERTIFIED BY CAL FIRE APPROVED LAB FOR ASTM E2886 AND E2912 STANDARDS. OTHER STYLES, SIZES, AND MATERIALS (BONDERIZED, STAINLESS STEEL, COPPER) AVAILABLE UPON REQUEST.

PART NUMBER	WIDTH	HEIGHT	VENT AREA	APPX. NFA
4500-MGV16	14"	3"	42 sq in.	20 sq in.
4780-MGV16	14"	6"	84 sq in.	35 sq in.
4965-MGV16	120"	3"	360 sq in.	130 sq in.

**\*For NFA approximations on any opening size, multiply the length of the vent by its height (excluding any flanges) and take 36% of that value.**





# Able Sheet Metal

Corporate Office Location:  
614 N. Ford Blvd  
Los Angeles, CA 90022

Shipping & Receiving:  
4532 Floral Dr  
Los Angeles, CA 90022

North California Location:  
14100 Doolittle Dr  
San Leandro, CA 94577

TEL: (323) 269-2181  
FAX: (323) 269-2184

TOLL FREE: (800) 699-2253  
[www.ablemetal.com](http://www.ablemetal.com)

TEL: (510) 483-9966  
FAX: (510) 483-9960

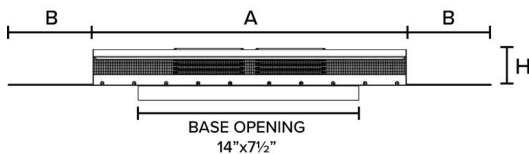


## GLIDER\* LOW PROFILE VENT WITH OPTIONAL WUI TESTED MGVSUB BASE

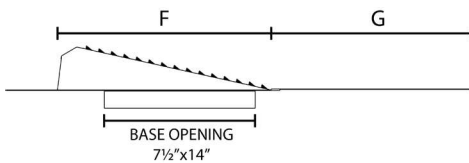
DESIGNED WITH HIGH PROFILE MATERIALS (ASTM A-653 GALVANIZED STEEL OR ASTM A-792 GALVALUME). COMES PREINSTALLED WITH FRONT FLANGE (AVAILABLE IN GALVANIZED OR PREPAINTED OPTIONS). STANDARD OPTION IS SCREENED WITH 1/8" METAL MESH, WUI TESTED OPTION WITH 1/16" WIRE MESH. DESIGNED FOR ROOFS WITH 4:12 PITCH OR ABOVE. CERTIFIED RESISTANCE TO FIRE (CBC CHAPTER 7A, CODE 706A2.1), RAIN, WIND, AND CORROSION (TAS 100-23(A)). SUB BASE DESIGN IS FITTED WITH INTUMESCENT STRIP AND TWO LAYERS OF 1/16" METAL WIRE MESH, AND IS TESTED AND CERTIFIED BY CALFIRE APPROVED LABS FOR ASTM E2886 AND E2912 STANDARDS IN WUI COMPLIANCE. SPECIAL STYLES, SIZES & MATERIALS (PREPAINTED, BONDERIZED, ALUMINUM, COPPER, LEAD) AVAILABLE UPON REQUEST. \*U.S. PATENTS 9,447,583 AND 12,560,351.

PART NUMBER	A	B	C	D	E	F	G	H	MESH SIZE	APPX. NFA
<b>6026-ER / 6027-ER</b> (SHG BASE, REG/LRG SIZE)	22	4/6	30/34	5	5.5	17	6	2.5	1/8"	<b>69</b>
<b>6028-ER / 6029-ER</b> (SHK BASE, REG/LRG SIZE)	22	4/6	30/34	5	5.5	17	12	2.5	1/8"	<b>69</b>
<b>6028-ER-A</b> (SHK BASE, ALUM FLANGES)	22	8	38	5	5.5	23	12	2.5	1/8"	<b>69</b>
<b>W/ MGVSUB BASE</b>	22	4/6	30/34/38	5	5.5	17	6/12	4.5	1/16"	<b>45</b>

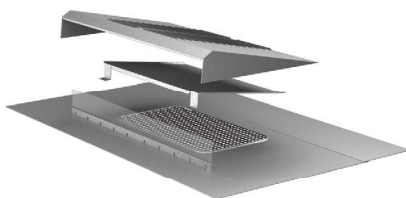
### FRONT VIEW



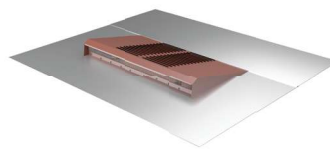
### SIDE VIEW



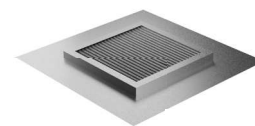
### 3D VIEW



GLIDER DISSECTION

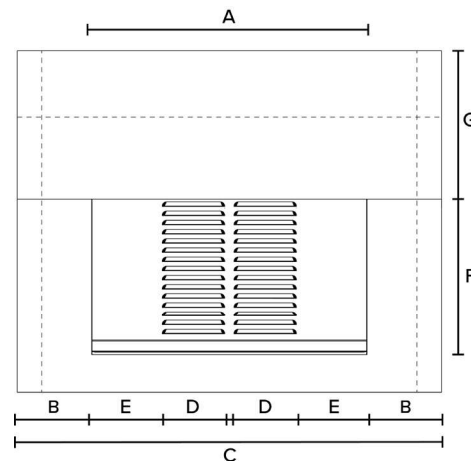


W/ ALUM FLANGES



WUI SUB BASE  
(ATTACHED TO BOTTOM)

### TOP VIEW





# Able Sheet Metal

Corporate Office Location:  
614 N. Ford Blvd  
Los Angeles, CA 90022

Shipping & Receiving:  
4532 Floral Dr  
Los Angeles, CA 90022

North California Location:  
14100 Doolittle Dr  
San Leandro, CA 94577

TEL: (323) 269-2181  
FAX: (323) 269-2184

TOLL FREE: (800) 699-2253  
[www.ablemetal.com](http://www.ablemetal.com)

TEL: (510) 483-9966  
FAX: (510) 483-9960

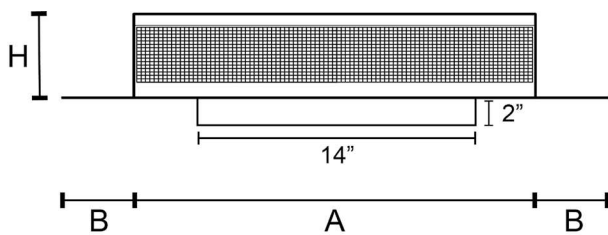


## LOW PROFILE EYEBROW VENT WITH OPTIONAL WUI TESTED MGV SUB BASE

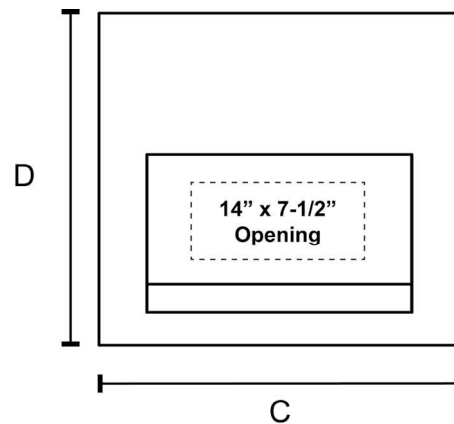
DESIGNED WITH HIGH PROFILE MATERIALS (ASTM A-653 GALVANIZED STEEL OR ASTM A-792 GALVALUME), SCREENED WITH 1/8" OR 1/16" GALVANIZED WIRE MESH. DESIGNED FOR ROOFS WITH 4:12 PITCH OR ABOVE. CERTIFIED RESISTANCE TO FIRE (*CBC CHAPTER 7A, CODE 706A2.1*), RAIN, WIND, AND CORROSION (*TAS 100-23(A)*). SUB BASE DESIGN IS FITTED WITH INTUMESCENT STRIP AND TWO LAYERS OF 1/16" METAL WIRE MESH, AND IS TESTED AND CERTIFIED BY CALFIRE APPROVED LABS FOR ASTM E2886 AND E2912 STANDARDS IN WUI COMPLIANCE. SPECIAL STYLES, SIZES & MATERIALS (PREPAINTED, COPPER, LEAD) AVAILABLE UPON REQUEST.

PART NUMBER	A	B	C	D	E	F	G	H	MESH SIZE	APPX. NFA
6032 (SHG BASE)	18	6	30	21.75	4	13	6	4	1/8"	45
6034 (SHK BASE)	18	6	30	21.75	4	13	12	4	1/8"	45
W/ MGV SUB BASE	18	8	30	21.75	4	13	6/12	4	1/16"	45

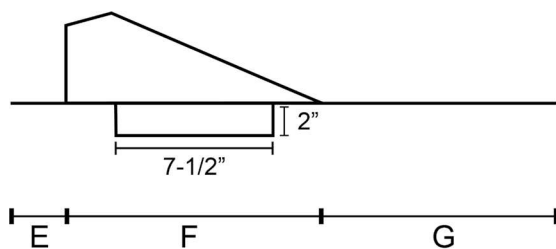
FRONT VIEW



TOP VIEW



SIDE VIEW





# Able Sheet Metal

Corporate Office Location:  
614 N. Ford Blvd  
Los Angeles, CA 90022

Shipping & Receiving:  
4532 Floral Dr  
Los Angeles, CA 90022

North California Location:  
14100 Doolittle Dr  
San Leandro, CA 94577

TEL: (323) 269-2181      TOLL FREE: (800) 699-2253      TEL: (510) 483-9966  
 FAX: (323) 269-2184      [www.ablemetal.com](http://www.ablemetal.com)      FAX: (510) 483-9960

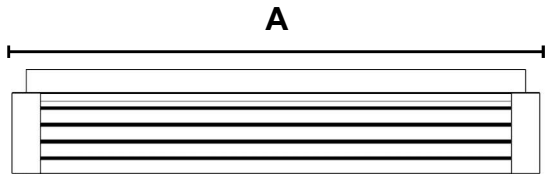


## WUI TESTED MGV RETROFIT FACE FOR EYEBROW VENTS

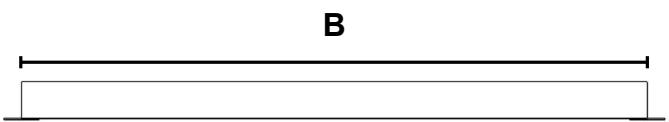
DESIGNED WITH HIGH PROFILE ASTM A-653 GALVANIZED STEEL. INTENDED FOR INSTALLATION ON FRONT OPENING OF LOW PROFILE DORMER VENTS (EYEBROW VENTS). RETROFIT DESIGN IS FITTED WITH INTUMESCENT STRIP AND TWO LAYERS OF 1/16" METAL WIRE MESH. LAB TESTED IN WUI COMPLIANCE FOR ASTM E2886 AND E2912 STANDARDS. SPECIAL STYLES, SIZES & MATERIALS (PREPAINTED, COPPER, LEAD) AVAILABLE UPON REQUEST. FAST INSTALLATION & REPLACEMENT.

PART NUMBER	A	B	C	D	E
6032-R	15.5	17.5	0.625	2.375	1

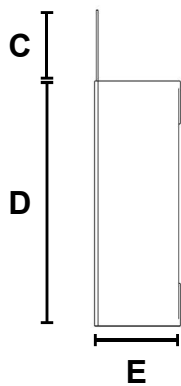
FRONT VIEW



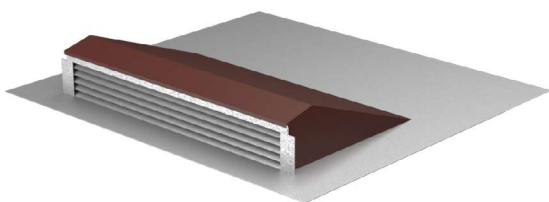
TOP VIEW



SIDE VIEW



3D VIEW





# Able Sheet Metal

Corporate Office Location:  
614 N. Ford Blvd  
Los Angeles, CA 90022

Shipping & Receiving:  
4532 Floral Dr  
Los Angeles, CA 90022

North California Location:  
14100 Doolittle Dr  
San Leandro, CA 94577

TEL: (323) 269-2181  
FAX: (323) 269-2184

TOLL FREE: (800) 699-2253  
[www.ablemetal.com](http://www.ablemetal.com)

TEL: (510) 483-9966  
FAX: (510) 483-9960



## HALF-ROUND DORMER (HRD) ROOF VENT WITH MGV STYLE WUI TESTED SUB BASE

DESIGNED WITH HIGH PROFILE MATERIALS (ASTM A-653 GALVANIZED STEEL, OR ASTM A-792 GALVALUME). RETURN ANGLE ON BLADES PREVENTS LEAKAGE. PRODUCT DESIGN ALLOWS FOR MAXIMUM AIR FLOW. SCREENED WITH 1/8" OR 1/16" GALV HARDWARE MESH OR FLAT EXPANDED METAL. SEALED WITH POLYURETHANE SEALANT. INTENDED FOR USE ON ROOFS FROM 4:12 TO 6:12 PITCH. SPECIAL STYLES, SIZES & MATERIALS (ALUMINUM, COPPER, LEAD) AVAILABLE BY REQUEST.

HRD CATEGORY #	A	B	C	D	E	F	G	K	L	M	N	APPROX. NFA
<b>5800</b>	18	9	30	31	9	16	6	6	18	19	16	<b>50</b>
<b>5870</b>	24	12	36	36	9	20	6	6	22	24	22	<b>100</b>

MGV SUB BASE (1/16" MESH)	O	P	Q	R	S	T	APPROX. NFA
<b>5860-MGV</b>	10	5	9	8	5	2	<b>36</b>
<b>5930-MGV</b>	15	6	11-½	9	6	2	<b>66</b>

**FRONT VIEW**

**SIDE VIEW**

**FRONT VIEW**

**BASE VIEW**

**TOP VIEW**

MGV style WUI listed Sub Base is made of non-combustive metal, screened with 1/16" metal mesh. ASTM E2886 & E2912 tested, Chapter 7A, Code 706A2.1 compliant, tested by CAL FIRE approved lab for WUI compliance. Copper option has 1/8" mesh.



# Able Sheet Metal

Corporate Office Location:  
614 N. Ford Blvd  
Los Angeles, CA 90022

Shipping & Receiving:  
4532 Floral Dr  
Los Angeles, CA 90022

North California Location:  
14100 Doolittle Dr  
San Leandro, CA 94577

TEL: (323) 269-2181  
FAX: (323) 269-2184

TOLL FREE: (800) 699-2253  
[www.ablemetal.com](http://www.ablemetal.com)

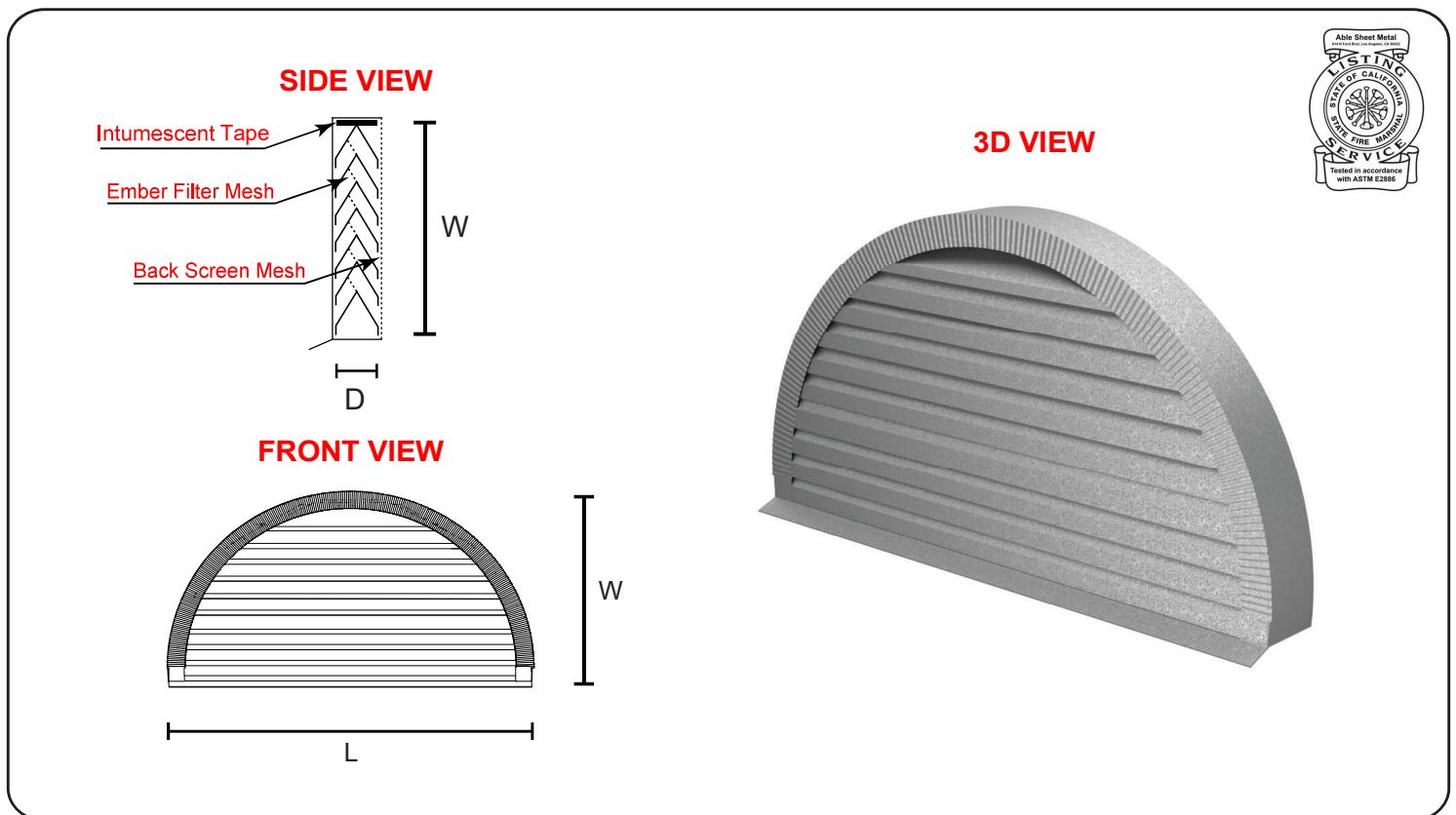
TEL: (510) 483-9966  
FAX: (510) 483-9960



## WUI TESTED MGV STYLE RETROFIT FACE FOR HALF ROUND DORMER VENT

DESIGNED WITH HIGH PROFILE ASTM A-653 GALVANIZED STEEL, AND FITTED WITH AN INTUMESCENT INSERT WITH TWO LAYERS OF 1/16" GALVANIZED OR STAINLESS STEEL WIRE OR 1/8" COPPER EXPANDED MESH. THE MGV DESIGN IS TESTED AND CERTIFIED BY CALFIRE APPROVED LAB FOR ASTM E2886 AND E2912 STANDARDS FOR WUI COMPLIANCE. SPECIAL STYLES, SIZES & MATERIALS (BONDERIZED, ALUMINUM, COPPER) AVAILABLE BY REQUEST.

PART NUMBER	LENGTH (L)	WIDTH (W)	DEPTH (D)	APPROX. NFA
5800-R	18-1/2"	9"	4"	36 sq in.
5870-R	24-1/2"	12"	4"	66 sq in.





# Able Sheet Metal

Corporate Office Location:  
614 N. Ford Blvd  
Los Angeles, CA 90022

Shipping & Receiving:  
4532 Floral Dr  
Los Angeles, CA 90022

North California Location:  
14100 Doolittle Dr  
San Leandro, CA 94577

TEL: (323) 269-2181  
FAX: (323) 269-2184

TOLL FREE: (800) 699-2253  
[www.ablemetal.com](http://www.ablemetal.com)

TEL: (510) 483-9966  
FAX: (510) 483-9960

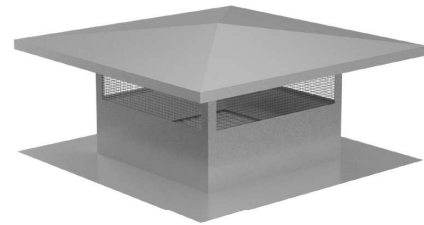
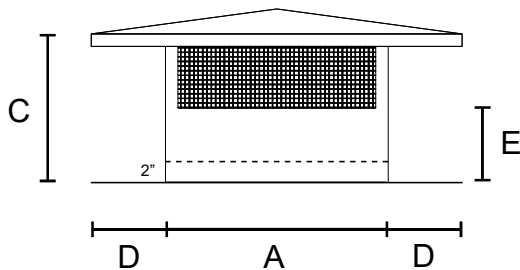


## GRAVITY VENT WITH WUI TESTED MGV INSERT

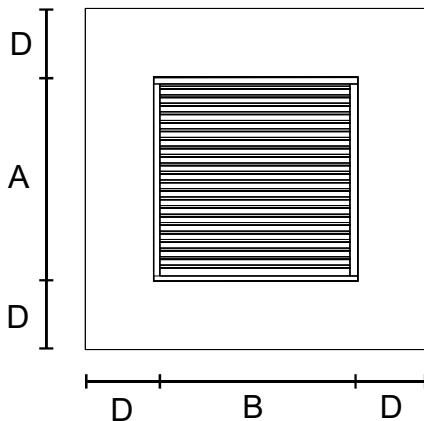
DESIGNED WITH HIGH PROFILE MATERIALS (ASTM A-653 GALVANIZED STEEL, OR ASTM A-792 GALVALUME). MGV INSERT IS MADE WITH 26GA GALVANIZED STEEL WITH 1/16" GALVANIZED WIRE MESH. TESTED AND CERTIFIED BY CAL FIRE APPROVED LABS FOR ASTM E2886 AND E2912 STANDARDS IN WUI COMPLIANCE. OTHER SIZES, STYLES, AND MATERIALS AVAILABLE UPON REQUEST. INTENDED FOR USE ON FLAT ROOFS.



### FRONT VIEW



### BOTTOM VIEW



PART NUMBER	Vent Width (A)	Vent Length (B)	Vent Height (C)	Flange Size (D)	Height (E)	Roof Opening	Approx. NFA (in <sup>2</sup> )
6040-1010-MGV	10"	10"	10"	4"	6"	10"x10"	40
6040-1212-MGV	12"	12"	10"	4"	6"	12"x12"	50
6040-1414-MGV	14"	14"	10"	4"	6"	14"x14"	70
6040-1818-MGV	18"	18"	10"	4"	6"	18"x18"	115
6040-2424-MGV	24"	24"	10"	4"	6"	24"x24"	210



# Able Sheet Metal

Corporate Office Location:  
614 N. Ford Blvd  
Los Angeles, CA 90022

Shipping & Receiving:  
4532 Floral Dr  
Los Angeles, CA 90022

North California Location:  
14100 Doolittle Dr  
San Leandro, CA 94577

TEL: (323) 269-2181  
FAX: (323) 269-2184

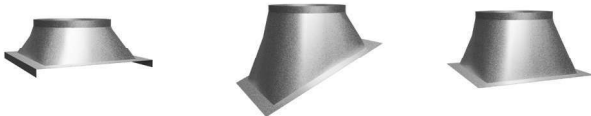
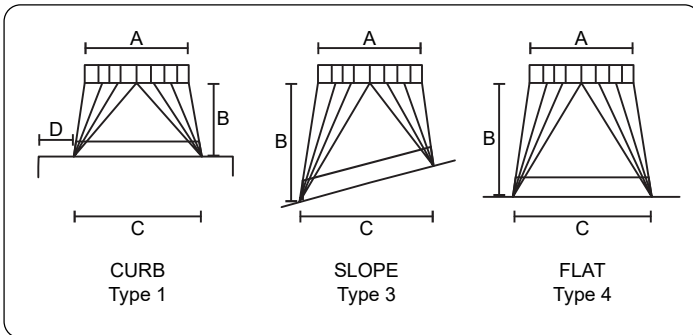
TOLL FREE: (800) 699-2253  
[www.ablemetal.com](http://www.ablemetal.com)

TEL: (510) 483-9966  
FAX: (510) 483-9960



## ROTARY TURBINE VENTILATORS WITH WUI TESTED MGV BASE INSERT

DESIGNED WITH HIGH PROFILE MATERIALS (ASTM A-653 GALVANIZED STEEL). BASES ARE TAILOR-MADE TO FIT THE SHAPE OF THE ROOF AND ARE CONSTRUCTED TO WITHSTAND SEVERE WIND. WIDE FLASHINGS FOR RIGID MOUNTING. WITH ANGLE RINGS AND STIFFENER ANGLES FOR THE LARGER SIZES. PRODUCT DESIGN ALLOWS MAX AIR FLOW. INTENDED FOR USE ON FLAT, SLOPED, AND CURB ROOFS. THE MGV INSERT IS LAB TESTED TO BE COMPLIANT WITH ASTM E2886 AND ASTM E2912.



PART NUMBER	A	B	C	D	GAUGE
6810-MGV	10"	8"	14"x14"	3"	26
6675-MGV	12"	10"	16"x16"	3"	26
6685-MGV	14"	10"	18"x18"	3"	26
6695-MGV	16"	10"	20"x20"	3"	24
6705-MGV	18"	10"	22"x22"	3"	24
6715-MGV	20"	12"	24"x24"	3"	24
6725-MGV	24"	12"	30"x30"	4"	24





# Able Sheet Metal

Corporate Office Location:  
614 N. Ford Blvd  
Los Angeles, CA 90022

Shipping & Receiving:  
4532 Floral Dr  
Los Angeles, CA 90022

North California Location:  
14100 Doolittle Dr  
San Leandro, CA 94577

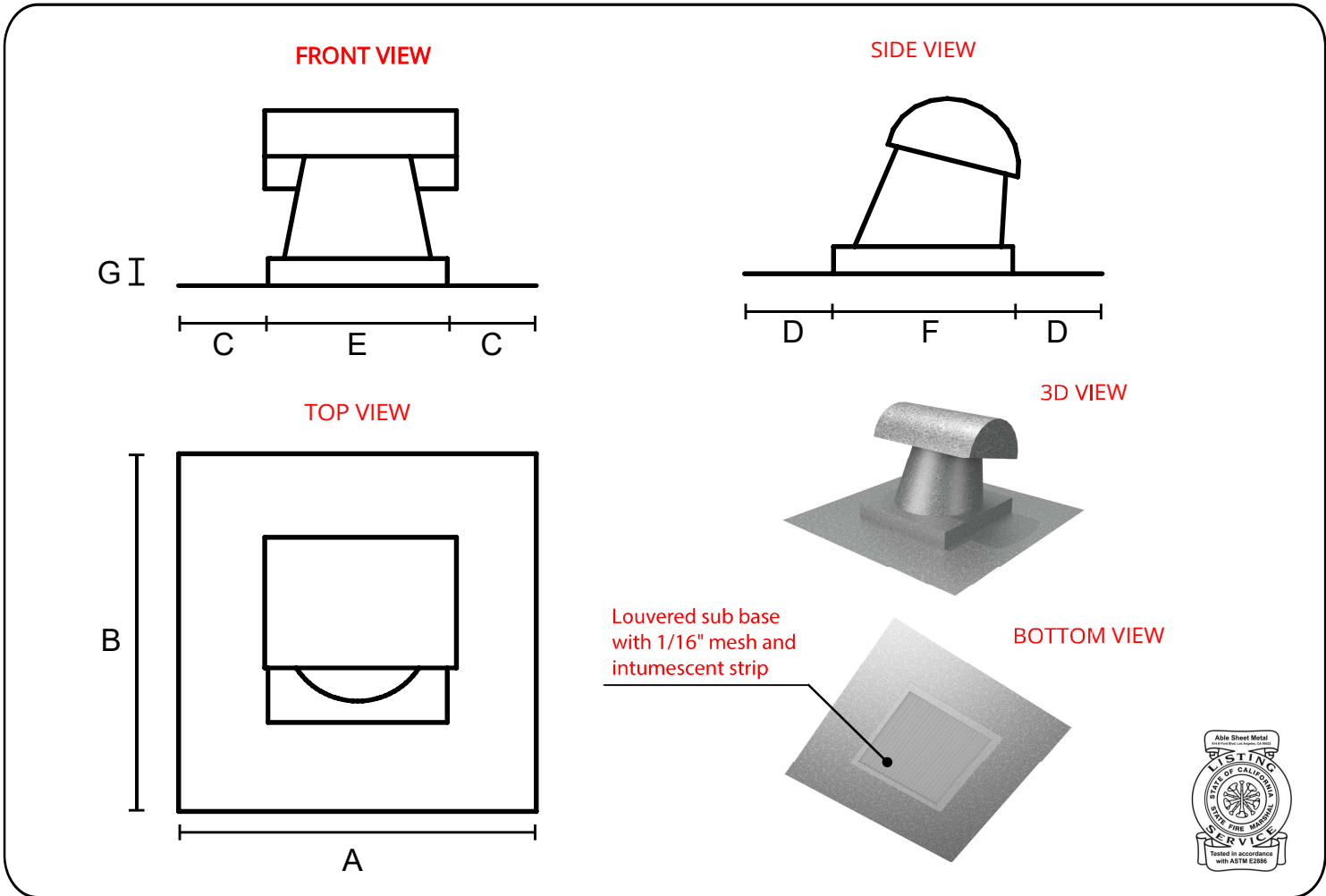
TEL: (323) 269-2181      TOLL FREE: (800) 699-2253      TEL: (510) 483-9966  
FAX: (323) 269-2184      [www.ablemetal.com](http://www.ablemetal.com)      FAX: (510) 483-9960



## ROOF JACK T-TOP VENT WITH MGV STYLE WUI TESTED SUB BASE

DESIGNED WITH ASTM A-653 GALVANIZED STEEL. INTENDED FOR USE ON FLAT AND SLOPED ROOFS UP TO 6:12 PITCH. BASED ON FHA STYLE T-TOPS WITH END CAPS. LAB TESTED FOR WUI COMPLIANCE MGV STYLE SUB BASE IS WITH 1/16" GALV MESH AND MADE AS AN UNDER-BOX ADDITION. HOT SOLDERED BASE LEVEL SEAMS.

PART NUMBER	A	B	C	D	E	F	G	APPROX. NFA
6221-MGV	20	23	6	6	8	11	1	15
6301-MGV	24	24	6	6	12	12	1	40





# Able Sheet Metal

Corporate Office Location:  
614 N. Ford Blvd  
Los Angeles, CA 90022

Shipping & Receiving:  
4532 Floral Dr  
Los Angeles, CA 90022

North California Location:  
14100 Doolittle Dr  
San Leandro, CA 94577

TEL: (323) 269-2181  
FAX: (323) 269-2184

TOLL FREE: (800) 699-2253  
[www.ablemetal.com](http://www.ablemetal.com)

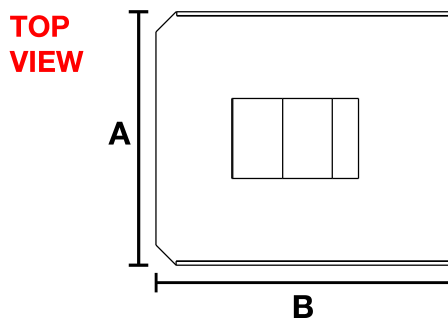
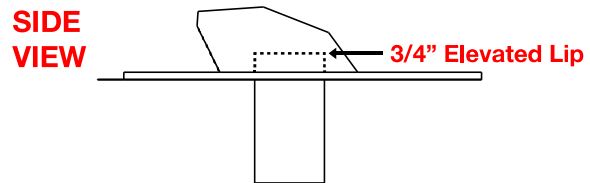
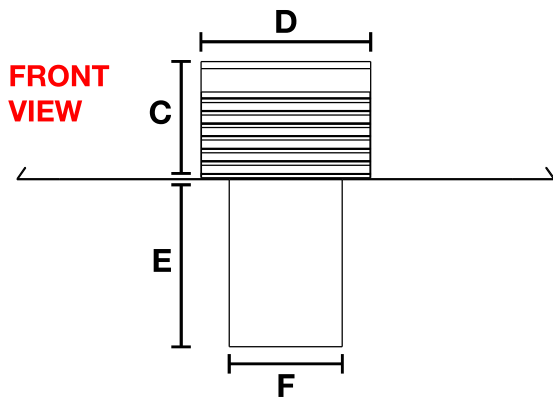
TEL: (510) 483-9966  
FAX: (510) 483-9960



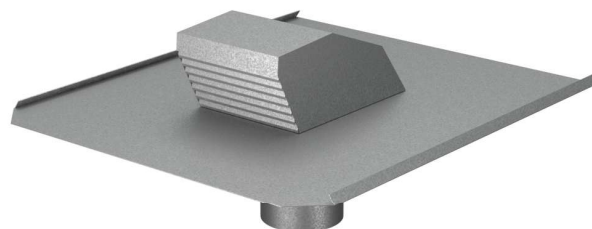
## WUI TESTED MGV EXHAUST VENT

DESIGNED WITH HIGH PROFILE ASTM A-653 GALVANIZED STEEL, AND FITTED WITH AN INTUMESCENT INSERT WITH TWO LAYERS OF 1/16" GALVANIZED OR STAINLESS STEEL WIRE MESH. THE MGV DESIGN IS TESTED AND CERTIFIED BY CALFIRE APPROVED LAB FOR ASTM E2886 AND E2912 STANDARDS FOR WUI COMPLIANCE. SPECIAL STYLES, SIZES & MATERIALS (PREPAINTED, BONDERIZED, ALUMINUM, COPPER) ARE AVAILABLE UPON REQUEST.

PART NUMBER	A	B	C	D	E	F
5171-MGV	19"	22"	4"	6"	6"	4"
5191-6-MGV	29"	22"	4"	6"	6"	6"



**3D VIEW**





# Able Sheet Metal

Corporate Office Location:  
614 N. Ford Blvd  
Los Angeles, CA 90022

Shipping & Receiving:  
4532 Floral Dr  
Los Angeles, CA 90022

North California Location:  
14100 Doolittle Dr  
San Leandro, CA 94577

TEL: (323) 269-2181  
FAX: (323) 269-2184

TOLL FREE: (800) 699-2253  
[www.ablemetal.com](http://www.ablemetal.com)

TEL: (510) 483-9966  
FAX: (510) 483-9960

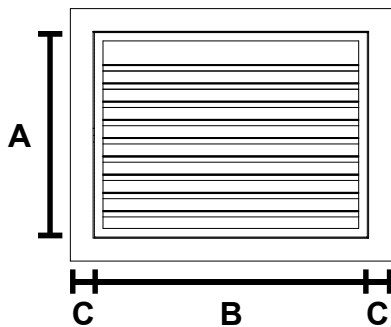


## WUI TESTED MGV CRAWL HOLE DOORS

DESIGNED WITH HIGH PROFILE ASTM A-653 GALVANIZED STEEL, FITTED WITH INTUMESCENT STRIP AND TWO LAYERS OF 1/16" METAL MESH. TESTED AND CERTIFIED BY CALFIRE APPROVED LAB FOR ASTM E2886 AND E2912 STANDARDS FOR WUI COMPLIANCE. SPECIAL STYLES, SIZES & MATERIALS (BONDERIZED, COPPER, STAINLESS STEEL, ETC.) AVAILABLE UPON REQUEST.

PART NUMBER	A	B	C	D	APPROX. NFA
4350-MGV	18"	24"	1-1/2"	2"	155 sq in.
4390-MGV	24"	24"	1-1/2"	2"	210 sq in.

### FRONT VIEW



### 3D VIEW



FRONT, CLOSED

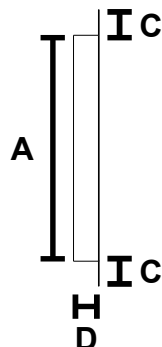


FRONT, OPEN



SIDE, OPEN

### SIDE VIEW





# Able Sheet Metal

Corporate Office Location:  
614 N. Ford Blvd  
Los Angeles, CA 90022

Shipping & Receiving:  
4532 Floral Dr  
Los Angeles, CA 90022

North California Location:  
14100 Doolittle Dr  
San Leandro, CA 94577

TEL: (323) 269-2181  
FAX: (323) 269-2184

TOLL FREE: (800) 699-2253  
[www.ablemetal.com](http://www.ablemetal.com)

TEL: (510) 483-9966  
FAX: (510) 483-9960

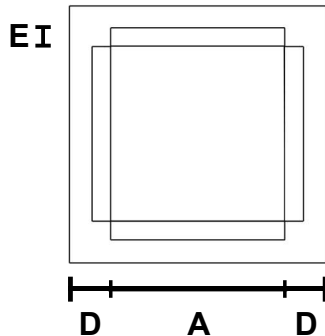


## WUI TESTED MGV WALL CAPS

DESIGNED WITH HIGH PROFILE ASTM A-653 GALVANIZED STEEL, FITTED WITH INTUMESCENT STRIPS AND TWO LAYERS OF 1/16" METAL MESH. TESTED AND CERTIFIED BY CALFIRE APPROVED LAB FOR ASTM E2886 AND E2912 STANDARDS FOR WUI COMPLIANCE. SPECIAL STYLES, SIZES & MATERIALS (BONDERIZED, COPPER, STAINLESS STEEL, ETC.) AVAILABLE UPON REQUEST.

PART NUMBER	A	B	C	D	E	APPROX. NFA
5000-MGV	4"	4-1/8"	1"	1"	1/4"	7 sq in.
5020-MGV	7"	3-5/8"	1"	1"	1/4"	20 sq in.
5040-MGV	3-1/2"	3-1/8"	1"	1"	1/4"	15 sq in.

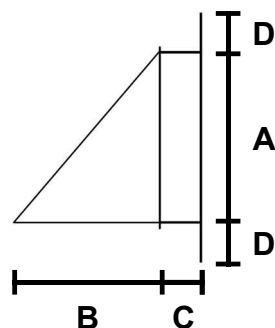
FRONT VIEW



3D FRONT VIEW



SIDE VIEW



3D BACK VIEW



## Terms and Conditions of Sale

This sale is made based on and subject to the terms and conditions of sale set forth as well as all drawings, specifications, descriptions and other documents attached hereto and incorporated herein by reference. Any additional or different terms or conditions set forth in any communication from Buyer, including Buyer's Purchase Order, are hereby objected to by Seller and shall not be effective or binding unless assented to in writing by an authorized representative of Seller.

**PRICES AND TAXES:** Prices (quoted on separate sheets) for materials covered hereby are subject to adjustment by Able Sheet Metal, Inc. at its shipping points. Seller's prices do not include sales, use, excise or similar taxes. Consequently, in addition to the price specified herein, the amount of any present or future sales, use, excise or other similar tax applicable to the sale or use of the products hereunder shall be paid by the Buyer. All prices will be P.I.E., price in effect, at time of shipment. Prices are subject to change without notice.

**PAYMENT:** Open account sales have payment terms of net 30 unless otherwise stipulated. All invoices will be dated the day of shipment. Remittance Address: Able Sheet Metal, Inc.; 614 N. Ford Blvd., Los Angeles, CA 90022.

**PRODUCT AVAILABILITY:** The product offering is subject to the discretion of the Seller.

**FREIGHT TERMS:** Buyer's orders will be shipped freight collect from Seller's plant location unless orders are in excess of dollar values stipulated by Seller. No freight costs will be paid by Seller for any Buyer's pickups.

**DELIVERY AND SHIPMENT:** Delivery shall be F.O.B. Seller's factory. Unless otherwise specified upon delivery of materials F.O.B. Seller's plant, all risk of loss, damage and other incidents of ownership shall immediately pass to Buyer. Any routing specified by Buyer will be observed, but Seller shall not be liable for freight allowances, if any, other than that of most economical route. Freight allowances will be made in accordance with Seller's current published price list. Seller reserves the right at all times to control routing.

**DELAYS:** Seller shall not be liable for delay or failure in performance hereof arising from any cause not within Seller's control, including, but not limited to, accidents, breakdowns or mechanical failure of plant machinery or equipment arising from any cause whatsoever, strikes or other labor troubles; labor shortage, fire, flood, war acts of the public enemy, acts of God, priorities, allocations, limitations or other acts required or requested by Federal or local Governments; or failure of usual sources of supply of materials.

**STANDARD TOLERANCES:** Seller will produce and ship this order within Seller's limitations as to size, gauge, temper and quality of material in accordance with the Seller's current published price list.

**RETURNS:** A 20% handling charge plus incurred freight will be made on all material returned. Written authorization by Seller is required. Special or non-stock items are non-returnable.

**REMEDIES:** In addition to all rights and remedies provided by law, Buyer grants Seller the right to enter Buyer's premises and reclaim all products supplied hereunder which have not been paid for within the prescribed time period.

**COMPANY RECOMMENDATIONS:** Any recommendations made by Seller, or any of its authorized representatives, concerning uses of or applications of the products sold hereunder are believed reliable but Seller makes no warranty, express or implied, of results to be obtained.

**LIMITED WARRANTY:** Seller warrants (to the original consumer purchaser) all materials sold hereunder to be free from defects in materials and workmanship at time of purchase. This warranty does not cover, and Seller hereby disclaims all liability for, any product which has been subject to abuse, alteration, modification, neglect, misuse, or abnormal use; or improper storage, handling, installation, or maintenance; or to which parts, not supplied by Seller, have been added, or to defects caused by depreciation or normal wear. The suitability of a product for an intended use shall be the sole responsibility of the user. Seller's liability shall in no event exceed the purchase price paid to it. No person has the authority to change these terms and there are no warranties except as stated herein. Any claim on account of defective materials or for any other cause shall be deemed waived by Buyer unless written notice of such claims is received by Seller within ninety (90) days after date of receipt of materials by Buyer. This warranty is contingent upon Buyer giving Seller prompt notice of any defect appearing within the prescribed time period. Seller shall be given a reasonable opportunity to investigate all claims and no materials shall be returned to Seller until after inspection and approval by Seller and receipt by Buyer of written shipping instructions. Seller's obligation under this warranty is limited to the repair or replacement at its factory of any of the products which are defective in material or workmanship, and is conditioned upon the Buyer furnishing satisfactory evidence that the goods alleged to be defective have been properly installed, maintained, and operated under normal conditions. Seller shall have the option of replacing or repairing any defective materials, refunding the purchase price, or granting a reasonable allowance on account of such defects, and Seller's liability and Buyer's remedies for defective materials shall be limited solely and exclusively as above. This warranty gives you specific legal rights and you may also have other legal rights which vary from state to state. EXCEPT AS EXPRESSLY PROVIDED HEREIN, SELLER MAKES NO OTHER REPRESENTATIONS OR WARRANTIES OF WHATSOEVER NATURE, DIRECTLY OR INDIRECTLY, EXPRESS OR IMPLIED, INCLUDING BUT NOT LIMITED TO ANY REPRESENTATIONS OR WARRANTIES OF SUITABILITY, DURABILITY, FITNESS FOR A PARTICULAR PURPOSE, OR MERCHANTABILITY WITH RESPECT TO THE PRODUCTS.

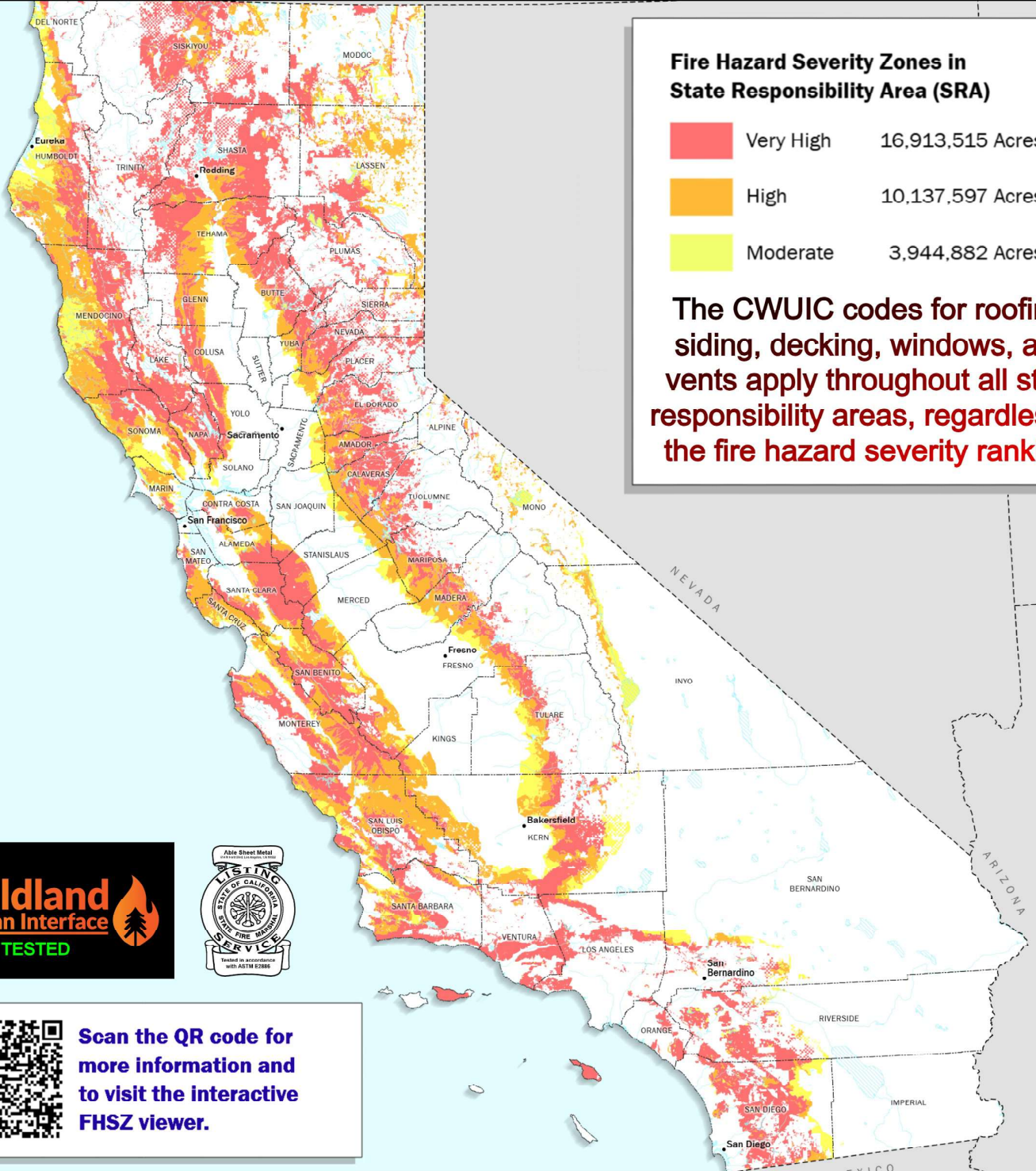

**LIMITATION OF LIABILITY:** The statute of limitations applicable to all claims arising under this agreement shall be one year from the date the claim accrues. Seller shall not under any circumstances be liable for special or consequential damages such as, but not limited to, damage or loss of other property or equipment, loss of profits or revenue, cost of capital or cost of purchased or replacement products. The remedies of the Buyer set forth herein are exclusive, and the liability of Seller with respect to any sale, or anything done in connection therewith such as the performance or breach of any terms thereof, or from the manufacture, sale, delivery, resale or use of any products furnished, whether arising out of contract, negligence, strict liability in tort or under any warranty or otherwise, shall not exceed the cost of the products purchased. The parties agree that there is no failure of essential purpose so long as Seller is willing to repair or replace for breach of Seller's warranties herein contained. Any actions brought hereunder must be commenced within eighteen months from the date such cause of action has accrued.

**INDEMNIFICATION:** Buyer agrees to indemnify, defend and hold harmless Seller, its directors, officers, agents, consignees, employees and representatives from and against all damages, claims, suits, settlements, expenses, including reasonable attorneys fees or liabilities of any kind whatsoever including, but not limited to, breach of warranties, accidents, injuries and losses to or of any person or property wherever, which may arise or be claimed based in whole or in part on Buyer's alteration, modification, assembly or reassembly of any of Seller's products specified herein.

**PATENTS AND TRADEMARKS:** Except as otherwise provided herein, Seller agrees to defend, at its expense, any suit brought against Buyer based upon a claim that any products provided hereunder infringes any United States Letters Patent, and to pay costs and damages finally awarded in such suit, provided that (a) Seller is notified promptly in writing of the suit and is given assistance for the defense of the same, and (b) Seller shall have sole control of the defense of any suit and all negotiations for its settlement or compromise. In the event a final nonappealable judicial determination is made that products furnished hereunder infringes a valid United States patent, Seller shall, at its option and own expenses, either procure for Buyer the right to continue using such products, replace the same with noninfringing products or modify it so it becomes noninfringing, or remove the infringing products and refund the purchase price and the transportation cost thereof. The foregoing states the entire liability of Seller for patent infringement.

**APPLICABLE LAW:** Seller reserves any and all rights and remedies provided by law. These terms and conditions of sale shall be interpreted and construed in accordance with the laws of the State of California.

# ARE YOU PREPARED FOR THE NEXT WILDFIRE?

Scan the QR code for more information and to visit the interactive FHSZ viewer.



**SOUTHERN CALIFORNIA**  
614 N Ford Blvd  
Los Angeles, CA 90022

**NORTHERN CALIFORNIA**  
14100 Doolittle Dr  
San Leandro, CA 94577

[www.ablemetal.com](http://www.ablemetal.com) • (800) 699-2253 (ABLE) • [office@ablemetal.com](mailto:office@ablemetal.com)

Ask your distributor what other products Able Sheet Metal carries in stock



Quality since 1946